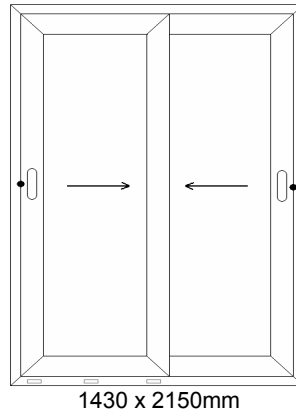


**SUMMARY OF RESULTS
OF TESTING CERTIFICATE 1091 / 02.09.2010**

NUMBER	1091	DATE	02 / 09 / 2010
---------------	-------------	-------------	-----------------------

Client' s data:	ALUSET A.E. LAKKA KALOGIROU (ALMIRES) GR 191 00 MEGARA GREECE
Product description:	DOUBLE SASH BALCONY DOOR SLIDING
Material:	ALUMINIUM
System :	S 320



Air Permeability <i>ELOT EN 1026:2000 / ELOT EN 12207:2000</i>	Class 4
Watertightness <i>ELOT EN 1027:2000 / ELOT EN 12208:2000</i>	Internal Rail: Cannot be classified External Rail: Class 4B
Resistance to Wind Load <i>ELOT EN 12211:2000 / ELOT EN 12210:2000</i>	Class B2

THE RESULTS CONCERN EXCLUSIVELY THE ABOVE TESTED PRODUCT.



**SINOPI PAPAPOPOULOU
LABORATORY MANAGER**

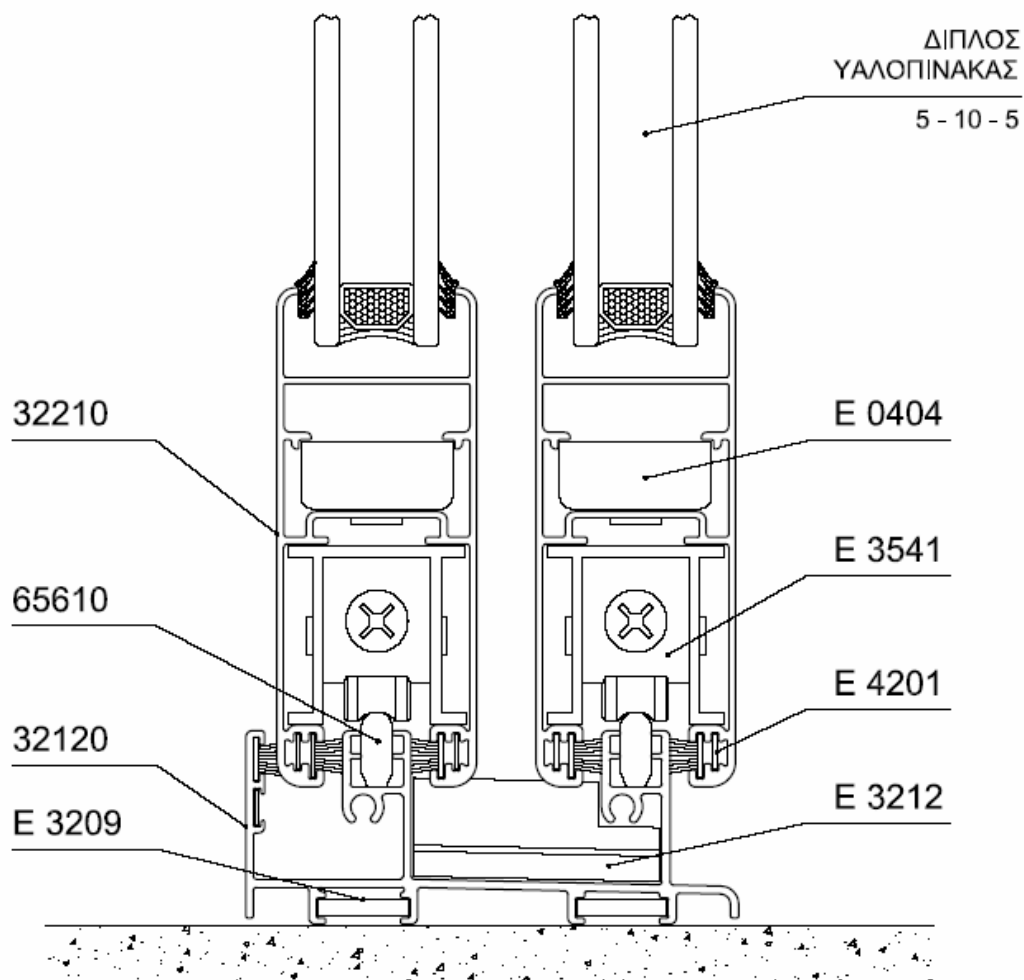


**IOANNIS GKERTSOS
GENERAL MANAGER**

EXACT TRANSLATION FROM THE GREEK ORIGINAL

τομή 1

κλίμακα 1:1



τομή 4

κλίμακα 1:1

